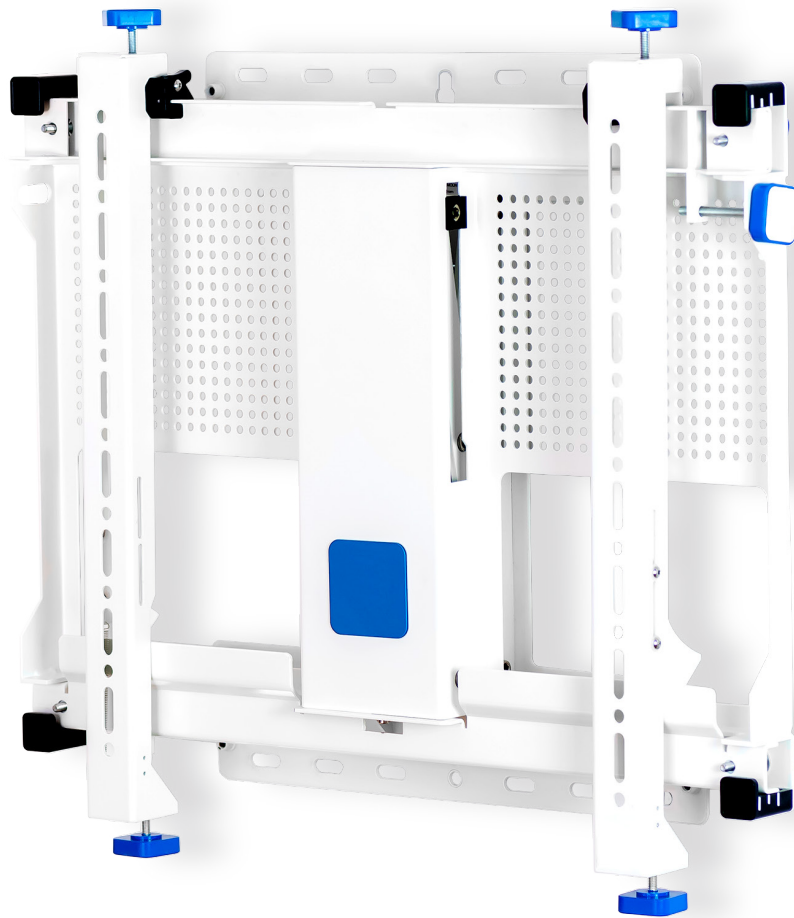




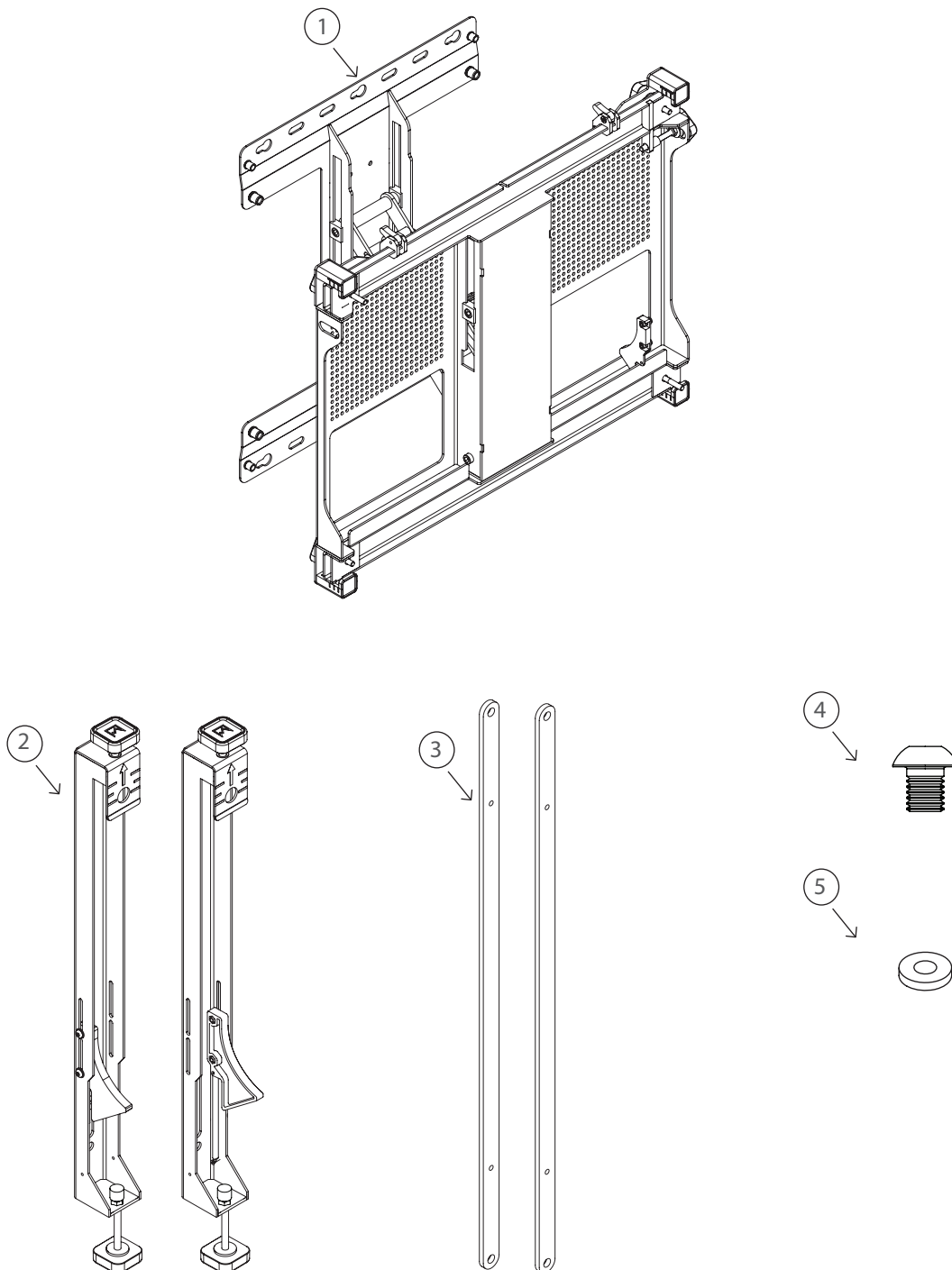
# SOFT-TOUCH WALL MOUNT INSTALLATION GUIDE & PARTS LIST



Please read all pages prior to installation!

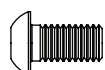
## PARTS LIST

REF	PART NAME	QTY	REF	PART NAME	QTY
1	Wall mount	1	4	M6 x 10mm Screw	4
2	Interface Arm	2	5	M6 Washer x 2mm	4
3	VESA 600mm Extension Arms	2			



# INTERFACE KIT

REF	INTERFACE KIT	QTY	REF	INTERFACE KIT	QTY
A	M6 x 16mm Screw	4	G	M8 x 5mm Spacer	4
B	M6 x 25mm Screw	4	H	M8 x 13mm Spacer	4
C	M6 x 40mm Screw	4	I	M8 x 25mm Spacer	4
D	M8 x 16mm Screw	4	J	M6 washer (for parts A-C)	4
E	M8 x 25mm Screw	4	K	M8 washer (for parts D-F)	4
F	M8 x 40mm Screw	4			



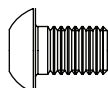
A



B



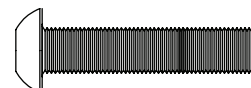
C



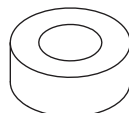
D



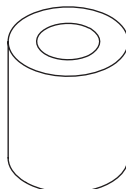
E



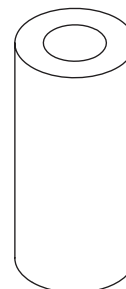
F



G



H



I



J



K

## INSTALLATION SAFETY INSTRUCTIONS

This mount is intended for use with screens up to 40kg/88lbs. Exceeding this weight can result in instability causing damage or injury. Always use caution when installing.

Do not attempt to install this product until all instructions and warnings have been read and properly understood. Please keep these instructions for future reference.

Please check carefully to make sure there are no missing or defective parts. Defective parts must never be used. AMD, its distributors and dealers are not liable or responsible for damage or injury caused by improper installation, improper use or failure to observe these safety instructions. In such cases, all guarantees will expire.

### General

AMD recommends that a professional AV installer or other suitably qualified persons, install this product. Great care must always be taken during installation as AV equipment is fragile, possibly heavy and easily damaged.

If you do not fully understand the instructions or are not sure how to install this product safely, then please consult a professional for advice and/or to install this product for you. Failure to mount this product correctly may cause serious injury or death both during installation and at any time thereafter.

Do not mount any AV equipment that exceeds the specific weight limit of the product you are installing. This weight limit will be clearly stated on each product and its packaging and will vary from product to product.

### Product location

Please pay careful attention to where this product is located. Check load capacity of wall prior to installation as some walls are not suitable for installation. Designed for indoor use, this mount is suitable for public or home installation. If located in a public area, ensure the product is out of the immediate reach of people. If any AV equipment is to be suspended over the likely path or location of people, then great care must be used, ensuring all equipment is securely fixed to a wooden stud, concrete block or other permanent structure.

Installing on drywall boards alone will not support the weight of most AV equipment.

When drilling holes in walls it is essential to avoid contact with electrical cables, water or gas pipes, contained within. Use of a good quality live wire detector and hidden abscess locator is therefore recommended.

Only drill into structures when you are sure it is safe to do so.

### Fixing hardware

It is highly recommended that all wall fixings be used where supplied and that the purpose of all hardware is fully understood.

In some cases, more AV equipment fixing hardware will be supplied to accommodate different models of equipment and set up configurations.

The installer must be satisfied that any supplied fixing hardware is suitable for each specific installation. If any fixing screws or included hardware are deemed not sufficient, for a safe installation, then please consult a professional or your local hardware store.

### Hazard limitation

When routing cables take advantage of any built-in cable management features that the product might provide and ensure that all cables are properly routed and secure. Check to see that any moving aspect of the product can do so unhindered by any cabling.

Some products have moving parts and the potential to cause injury through the crushing or trapping of fingers or other body parts, exercise care and read all warnings.

Pay close attention to all moving parts, especially when assembling, installing and servicing. Immediately after installation, double check that the work done is safe and secure. Double check all necessary fixings are present and suitably tightened.

It is recommended that periodic inspections (not greater than 6 months apart) of the product and its fixing points are made, to ensure safety is maintained. If in doubt, consult a professional AV installer or other suitably qualified person.

Periodic Inspection Record:

DATE	INSPECTED BY	LOCATION	SIGNED

## CONTENTS

Parts list

Installation Safety Notes

Warning

Installation Instructions

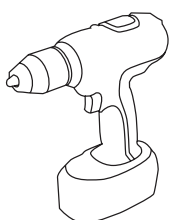
Single Screen Installation

Multi-Screen Installation

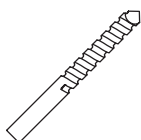
Product Dimension

AMD contact

## Installation tools required



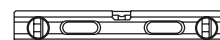
Drill



Drill bit



Pencil



Level

## WARNING

### ES

AMD recomienda que un instalador de audio y video profesional u otra persona debidamente cualificada instalen este producto. AMD Ltd, sus distribuidores y concesionarios no se hacen cargo ni se responsabilizan de ningún daño o lesión provocados por una instalación inapropiada. Este producto se debe montar en una estructura adecuada y se debe utilizar soportando solamente hasta el peso máximo indicado.

### FR

AMD recommande de confier l'installation de ce produit à un installateur AV professionnel ou à une autre personne dûment qualifiée. AMD, ses distributeurs et ses revendeurs ne sauraient être tenus responsables de tout dégât ou de toute blessure résultant d'une installation incorrecte. Ce produit doit être monté sur un support approprié et utilisé dans la limite du poids maximum indiqué.

### DE

AMD empfiehlt, dass dieses Produkt durch einen qualifizierten AV-Techniker oder eine andere Person mit geeigneter Qualifikation installiert wird. AMD, ihre Distributoren und Händler können nicht für durch fehlerhafte Montage verursachte Beschädigung oder Verletzung haftbar bzw. verantwortlich gemacht werden. Dieses Produkt muss auf eine geeigneten Untergrund montiert werden und darf nur bis zum angegebenen Höchstgewicht verwendet werden.

### IT

AMD consiglia di affidare l'installazione di questo prodotto a un installatore specializzato o ad altra persona adeguatamente qualificata. AMD, i suoi distributori e rivenditori non accettano alcuna responsabilità nei riguardi di eventuali danni o infortuni causati da un'errata installazione. Questo prodotto deve essere fissato a una struttura idonea e utilizzato unicamente sino al peso massimo indicato.

### NL

AMD adviseert om dit product te laten installeren door een professionele AV-instalateur of andere hiervoor gekwalificeerde persoon. AMD, haar distributeurs en dealers zijn niet aansprakelijk of verantwoordelijk voor schade of letsel die is veroorzaakt door onoordeelkundige installatie. Dit product moet worden gemonteerd aan een geschikte constructie, waarbij het aangegeven maximum gewicht niet mag worden overschreden.

### PT

AMD recomenda que a instalação deste produto seja efectuada por um instalador de AV instalador de AV profissional ou outra pessoa devidamente habilitada. AMD, e os seus distribuidores e concessionários não são responsáveis por danos ou lesões causados por uma instalação incorrecta. Este produto tem de ser montado numa estrutura adequada e utilizado somente até ao peso máximo indicado.

### PL

Firma AMD zaleca, aby ten produkt był instalowany przez profesjonalnych instalatorów AV lub inny odpowiednio przeszkolony personel. Firma AMD, jej dystrybutorzy i dealerzy nie ponoszą odpowiedzialności za uszkodzenia lub obrażenia ciała powstałe w wyniku nieprawidłowej instalacji. Niniejszy produkt musi być zamontowany na odpowiedniej powierzchni, a podczas użycowania nie wolno przekraczać podanego maksymalnego obciążenia.

### CS

Společnost AMD doporučuje provést instalaci tohoto produktu instalátora AV či jinak způsobilé osoby. Společnost AMD, její distributoři a prodejci nenesou prostřednictvím odborného odpov. ědnost za škody nebo zranění způsobená nevhodnou instalací. Tento výrobek je nutno umístit do vhodné konstrukce a používat jen po uvedené maximální výšce.

Компания AMD .Ltd рекомендует чтобы установка данного изделия производилась инженером по установке аудио-видеотехники или другим специалистом с соответствующей квалификацией. Компания AMD Ltd. ее дистрибьюторы и дилеры не несут ответственности за повреждения или травмы, полученные в результате неправильной установки. Данное изделие должно

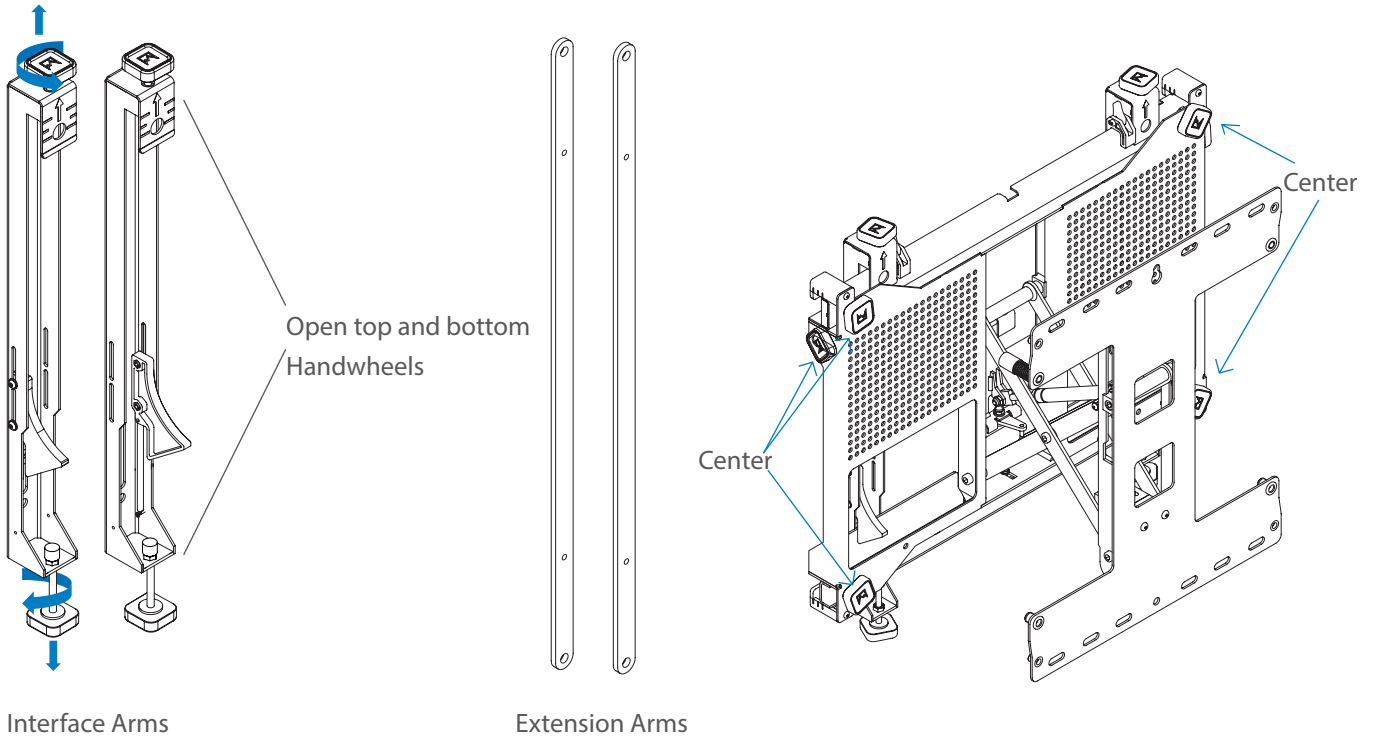
Warranty period : 2 Years

This AMD product, delivered new, in the original carton to the original consumer purchaser, is warranted by AMD against manufacturing defects in materials and workmanship for the warranty period above. This warranty begins on the original date of purchase. To receive warranty service, the purchaser must contact AMD for problem determination and service procedures. Warranty service can only be performed by a AMD authorized service centre. The original dated bill of sale must be presented upon request as proof of purchase to AMD authorized service centre.

# INSTALLATION INSTRUCTIONS

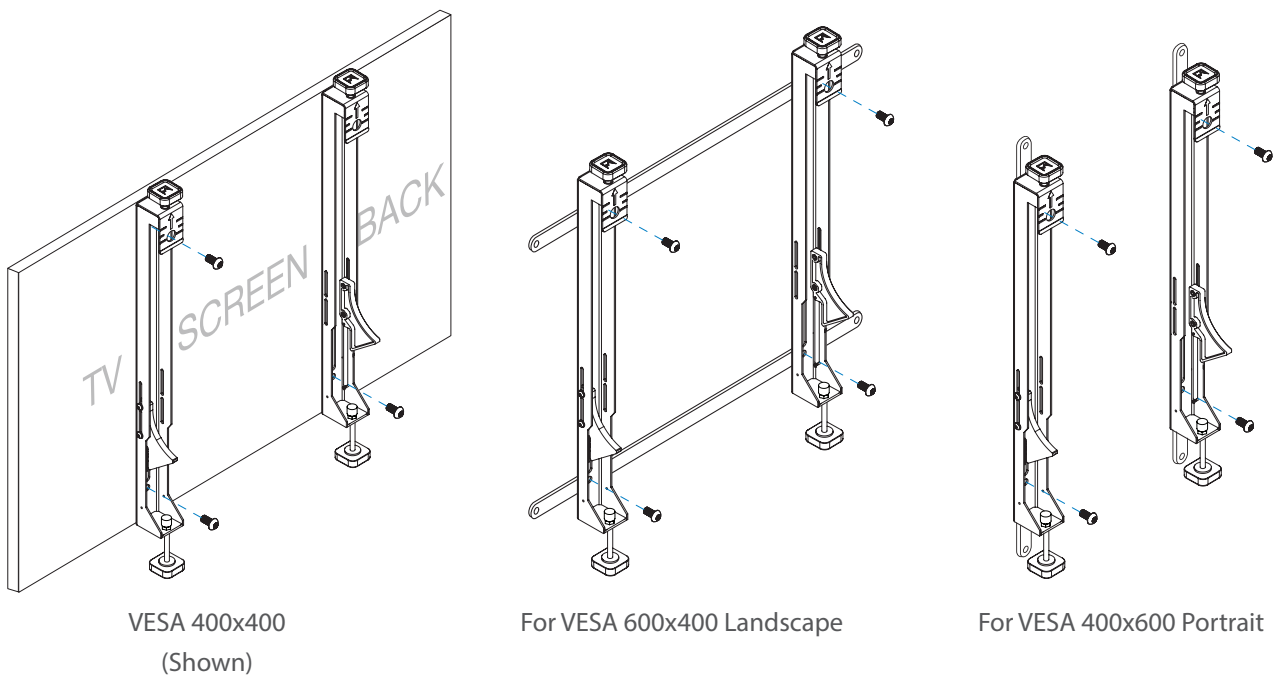
## Step 1 Unpack and check all parts

Open top and bottom handwheels on Interface Arms (closed for shipment).  
Check depth and lateral adjustment knobs are centered in adjustment range.



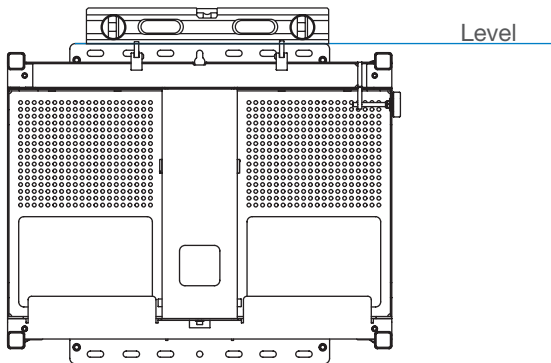
## Step 2 Attach the interface adaptors to the flat screen

The interface arms fit from VESA 200 x 100mm through 400 x 400mm.  
For 600 x 400mm or 400 x 600mm use supplied extension arms.

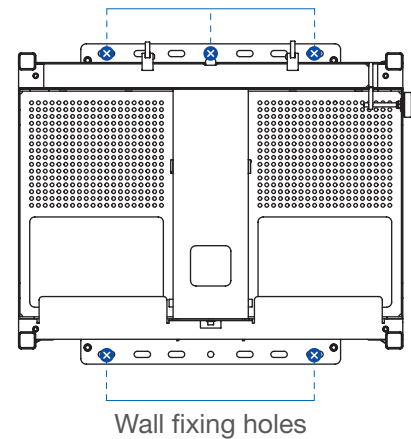


## SINGLE SCREEN INSTALLATION

- Step 1** Measure, mark and drill holes  
 Use level to check alignment.  
 Tighten all wall bolts (5 pcs recommended).

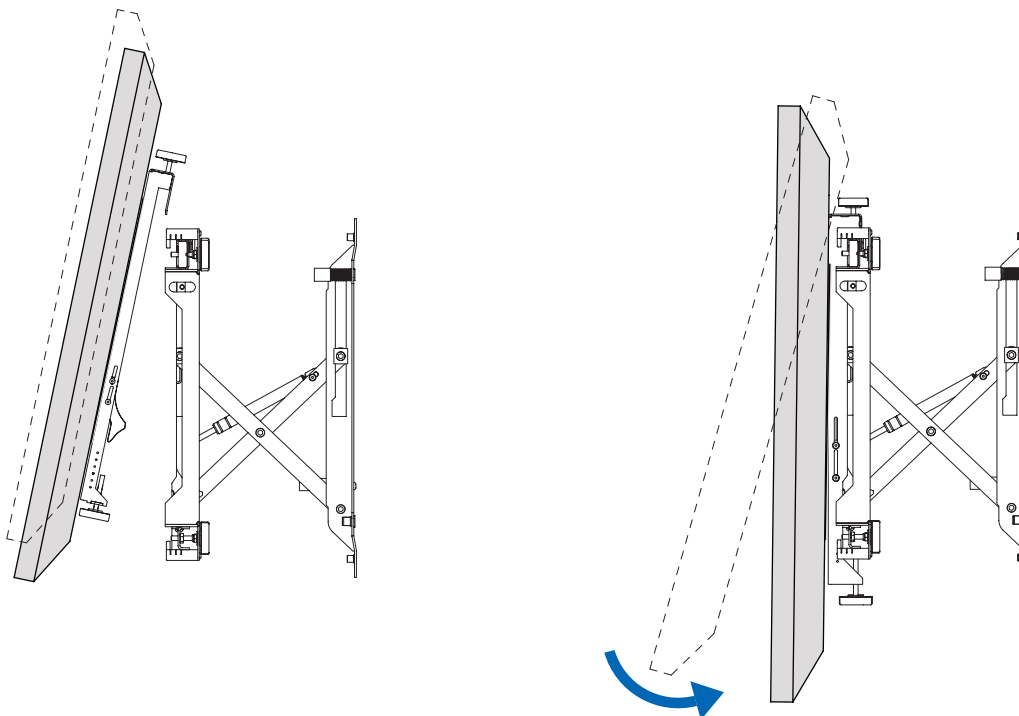


Use minimum 2 wall bolts (**3 recommended**) at Top and 2 wall bolts bottom of mount. Heavier screen should have 3 bolts including center top keyhole location.



- Step 2** Tighten all bolts

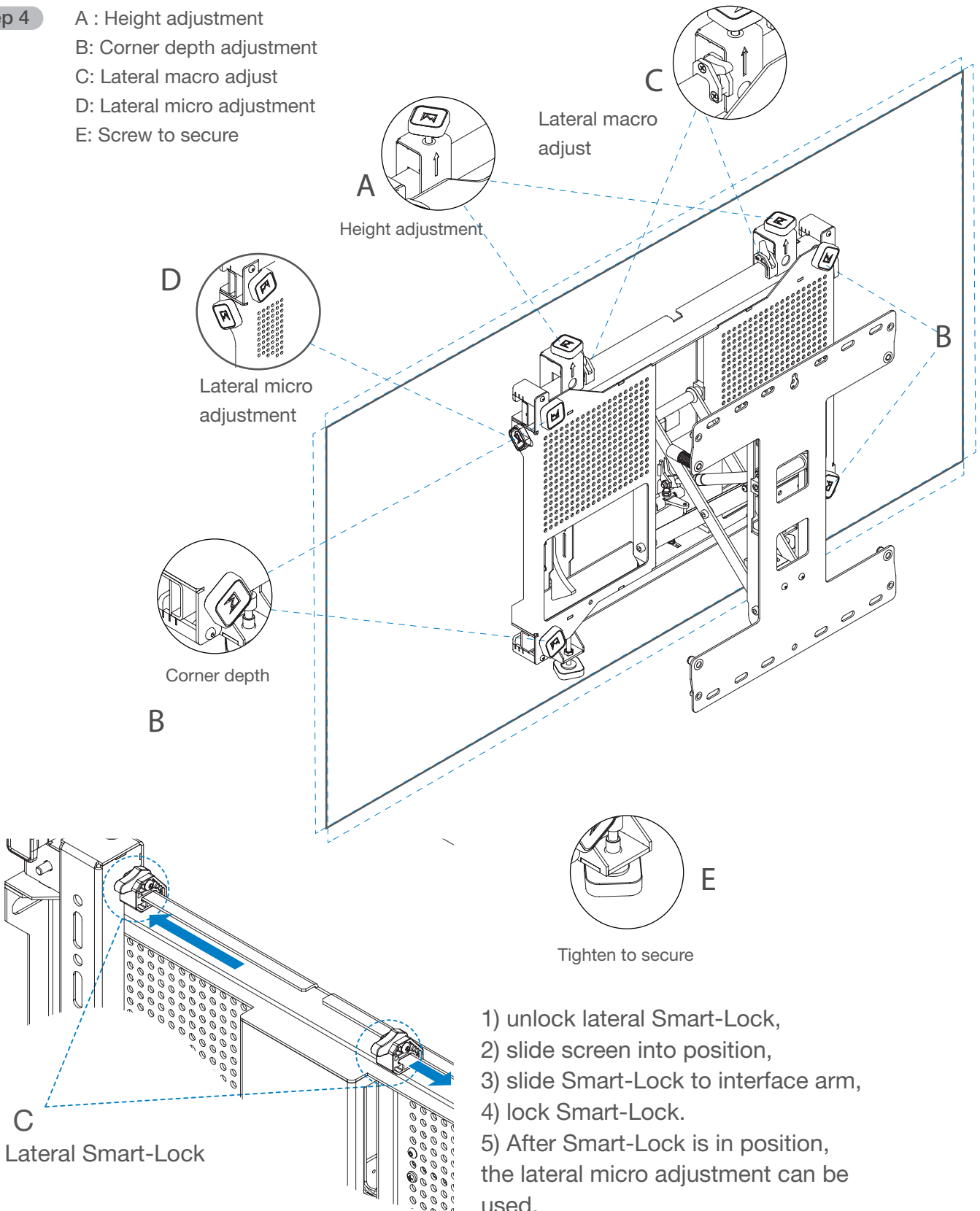
- Step 3** Extend Mount from wall  
 At slight angle hook arms onto top of frame flatten screen onto mount base until it clicks into position





**Step 4**

- A : Height adjustment
- B: Corner depth adjustment
- C: Lateral macro adjust
- D: Lateral micro adjustment
- E: Screw to secure



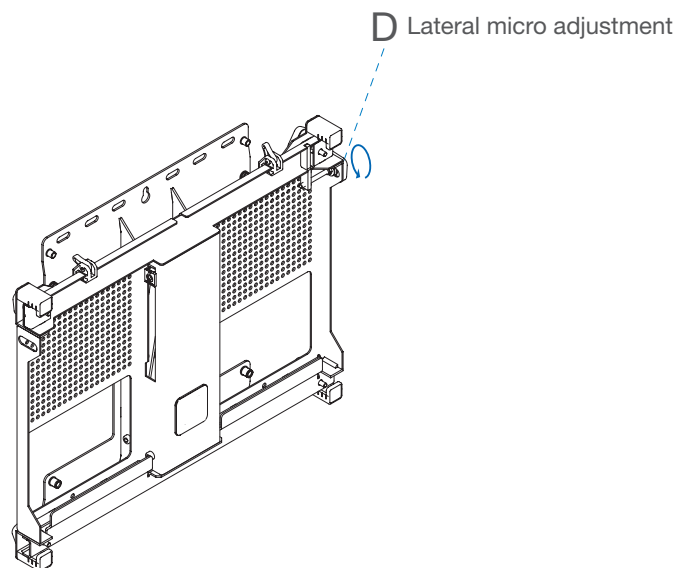
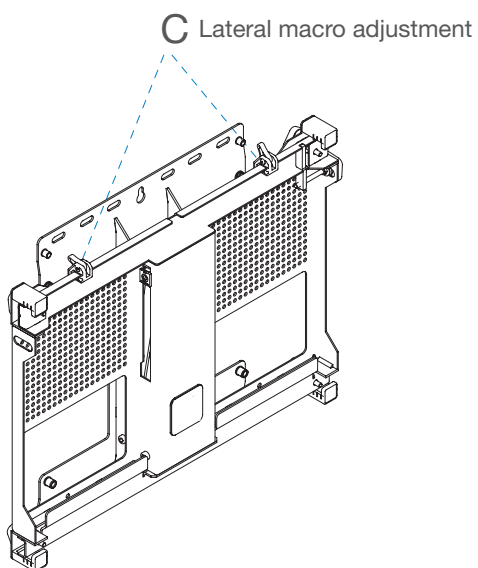
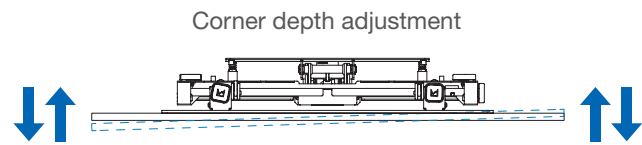
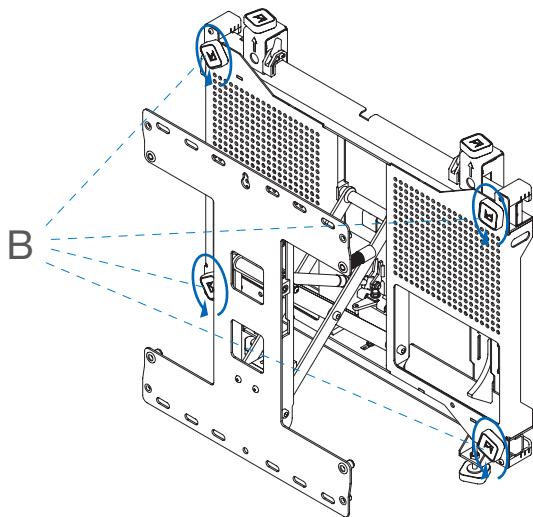
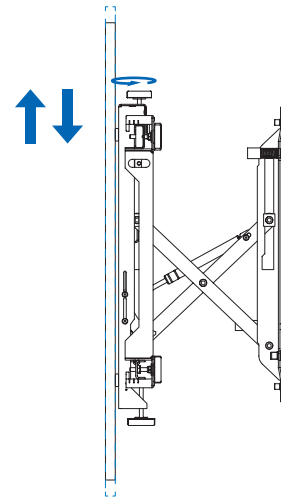
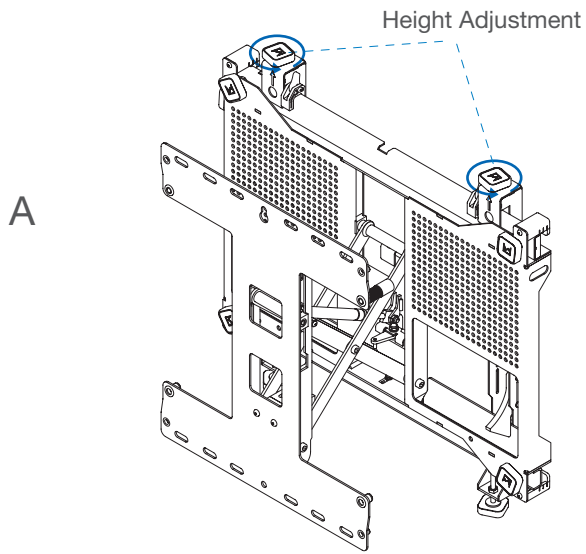
- 1) unlock lateral Smart-Lock,
- 2) slide screen into position,
- 3) slide Smart-Lock to interface arm,
- 4) lock Smart-Lock.
- 5) After Smart-Lock is in position, the lateral micro adjustment can be used.

**Step 5**

Use level to make any needed adjustments to screen  
Use locking handwheels (E) to secure screen.  
Note: Once secured, locking handwheels must be loosened before any adjustments can be made.,

Detail

Screen adjustments



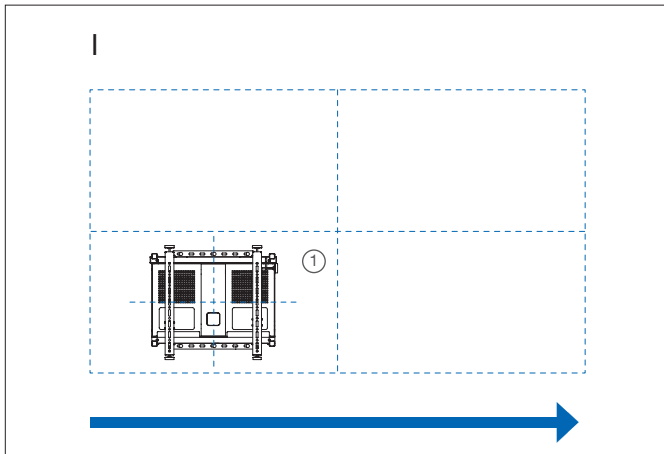
# MULTI- SCREEN INSTALLATION

## General recommendations

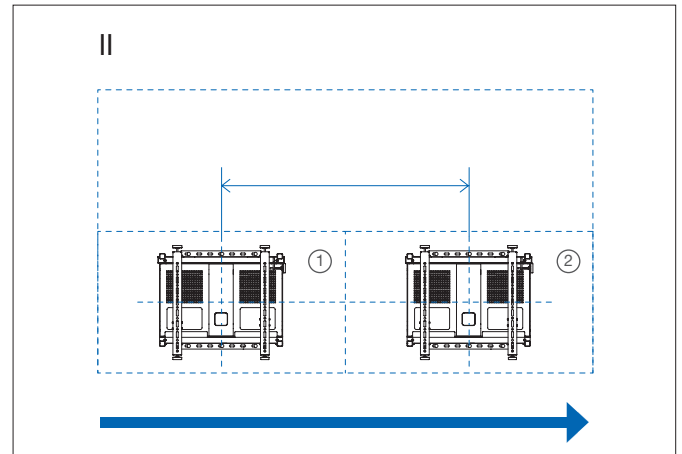
Check the wall structure being mounted to. Use a level to ensure the wall is flat and note areas of concern. Use washers, shims or spacers between the wall and the mount to create a flat surface for mounting. A flat mount will make adjustments much easier and faster when aligning screens.

**Note: The AMD Soft-Touch Mount is ONLY suitable for installation perpendicular or slightly angled to the floor in portrait or landscape orientation. It is NOT suitable for overhead mounting.**

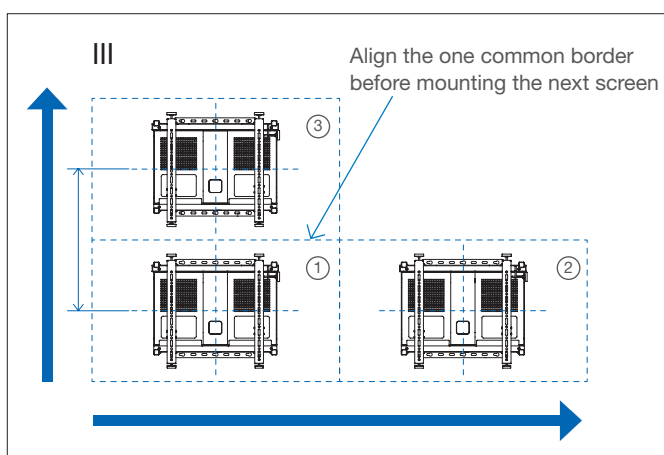
We recommend video walls start in a corner, we show starting at the bottom left then add the screens row by row, aligning the screens as you build. Also, make sure depth and lateral micro adjustments are centered before installation, making alignment quicker and easier.



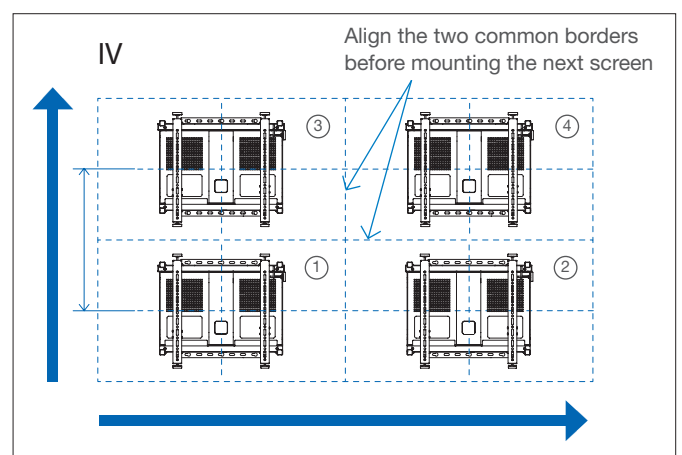
Start from the bottom corner of the video wall configuration.



Width of screen determines center to center distance for next horizontal mount location.



Height of screen determines center to center distance for next vertical mount location.



Build Horizontally first then add rows until all rows are completed.

**Note: Walls are built from different materials and require different wall bolts for best performance and safety. Please select suitable fixings or consult an expert for guidance.**

# PRODUCT DIMENSIONS AV02

